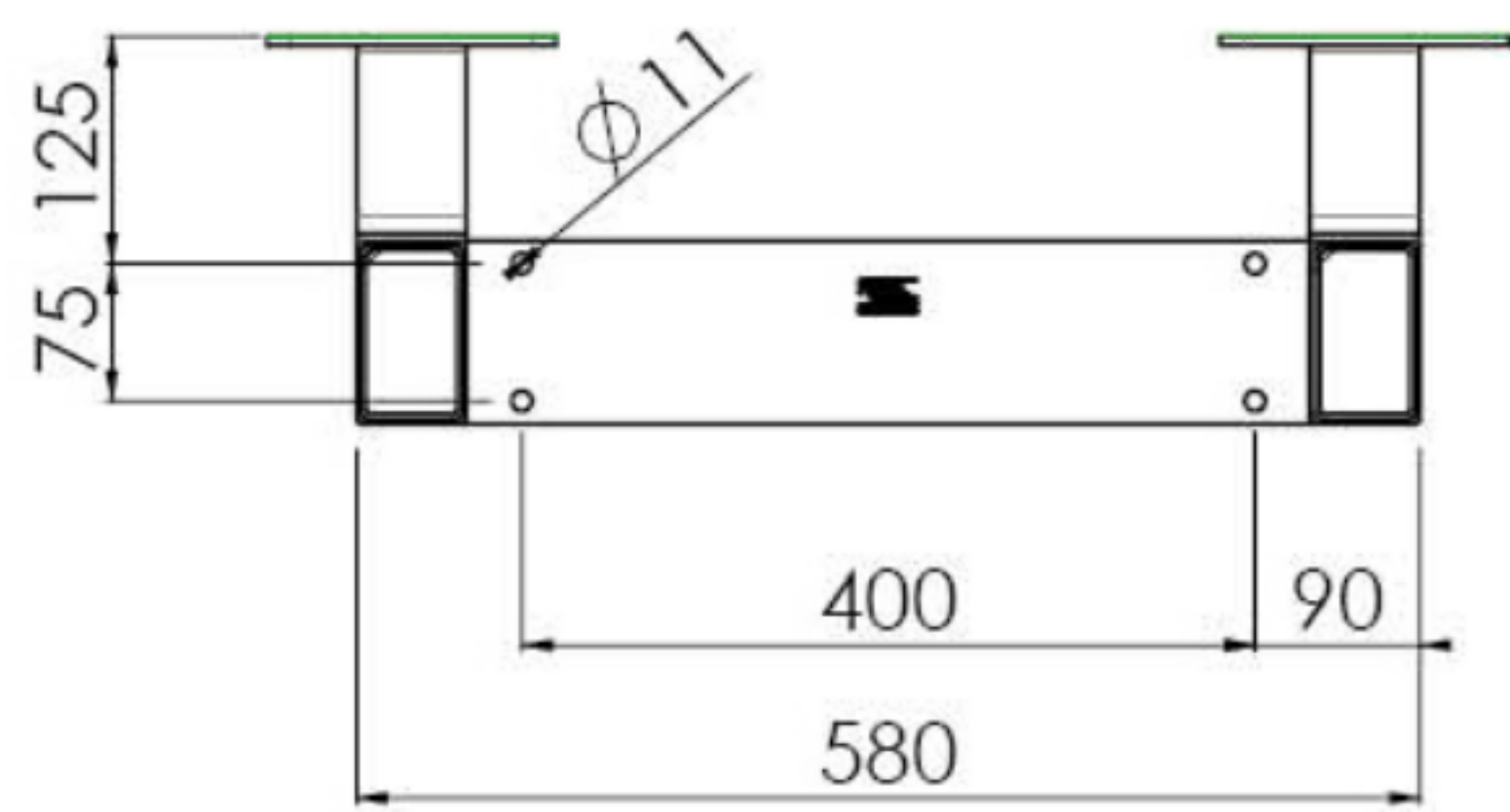


SECTION A-A



Dimensions	mm [inch]
Revision	00
Sheet size	A4
Projection	1st
Net weight	3.46 kg
Gross weight	4.04 kg
Max. load	200.00 kg
Exception VESA 400x600/500:	
Max. load	140.00 kg

